

# JANGRO Product Guide



## Sovereign Heavy Duty Satin Floor Polish BD210-5



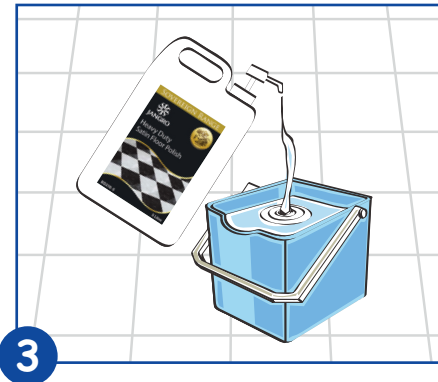
1

Use appropriate PPE as indicated in COSHH/REACH data.



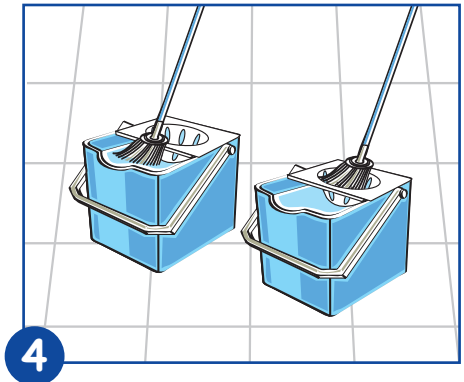
2

Place safety signs.



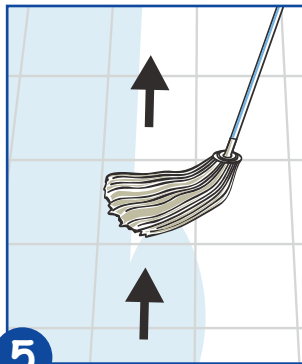
3

Pour polish into bucket or tray. (undiluted).



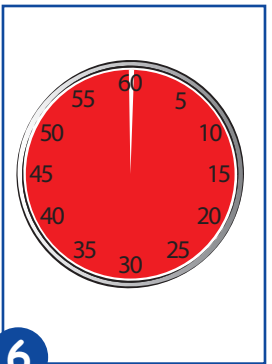
4

Place mop or applicator into polish. Lightly squeeze out surplus.



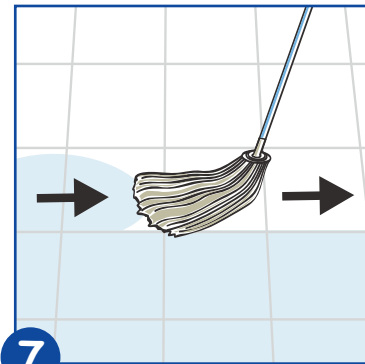
5

Apply polish to dry floor thinly and evenly.



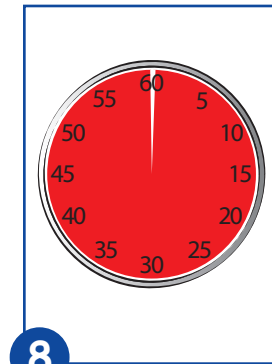
6

Leave to dry for 60 minutes.



7

Apply a further coat of polish leaving 10cm gap from skirting board.



8

Leave to dry for 60 minutes.



9

Remove safety signs.

Health & Safety  
Please refer to relevant  
COSHH Sheet.